



# JOIN Combinable Filters

by MEDOP  
WITH BAYONET CONNECTION  
FOR TWO-FILTER HALF-MASK

EN 143  
EN14387

pureon

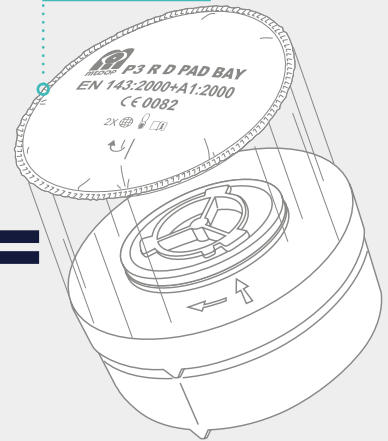
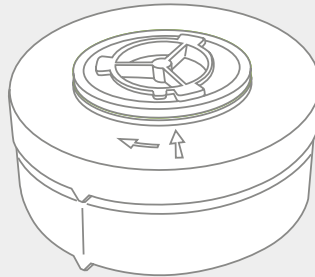
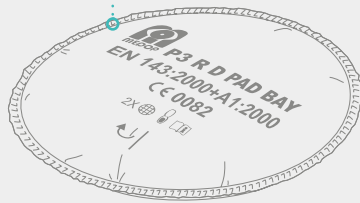


WELLMED

EXTREMELY EASY TO USE, KEEP YOUR STOCK SUPER SIMPLE



Replacement Particle Filters:  
P2R (Ref. 914216)  
P3R (Ref. 912087)



RANGE of JOIN filters:  
A1 P2R (Ref. 914512)  
A2 P3R (Ref. 914520)  
ABEK1 P2R (Ref. 914499)  
ABEK1 P3R (Ref. 914493)  
ABEK2 P3R (Ref. 914613)

**JOIN FILTERS** combine a particle filter with a gas filter allowing for each of them to be used independently: 1 product, 3 solutions. Both filters can be used either alone (directly on the half mask) or combined (both filters paired together).

There is no need for adapters, pre-filters, or any other kind of additional accessories for adjusting both filters.

The **JOIN** filter system allows you to only replace the particle filter once it has become saturated while still using the gas filter for its useful life.

- Casing made of **HIGH-STRENGTH** and **HYPOALLERGENIC ABS** material
- High-performance filter for **EXCELLENT FILTRATION EFFECTIVENESS AND GREAT DURABILITY**
- More intuitive **BAYONET CONNECTION** system with easy application
- **NO NEED FOR ADAPTERS, PRE-FILTERS, OR OTHER ADDITIONAL PIECES** to adjust both filters (gases + particles)
- **Highly ERGONOMIC** thanks to the offset position of the filters, set back from the field of vision, making them **COMPATIBLE WITH OTHER KINDS OF PPE**
- **STOCK EFFICIENCY.** 3 filters and one single SKU. **STOCK SIMPLIFICATION**

## PROTECTION THAT OFFERS

- **BETTER WORKPLACE HEALTH:** All **JOIN** filters incorporate the innovative **pureon CERTIFIED ANTIBACTERIAL PROTECTION** that prevents the growth of up to 99.99% of bacteria.
- **CERTIFIED BREATHABILITY:** The **JOIN** filters guarantee excellent breathability and meet the standards established by the EN 143 (Particle filters) and EN 14385 requirements (Gas filters and combined filters).
- **FORMALDEHYDE:** The ABEK1P2R and ABEK1P3R **JOIN** filters offer protection against formaldehyde, as they have passed the specific NIOSH tests.

## HALF MASKS THAT ARE COMPATIBLE with JOIN filters:



**MedopAir II**  
Ref.: 913845



**Futura**  
Ref.: 911264 (Size M)  
Ref.: 911274 (Size L)



**Medop Full Air II**  
Ref.: 914693

## AVAILABLE ASSORTMENT:

### JOIN FILTERS:

| Ref.   | Available in  | Marking       | Tested against Formaldehyde | Maximum level of use                | Protection against   |
|--------|---|---------------|-----------------------------|-------------------------------------|--|
| 914512 | Box of 6 JOIN <b>A1</b> filters + 6 <b>P2R</b> Pad filters                                    | A1 P2R PAD    | -                           | Gases Level 1<br>Particles 12 x TLV | Organic gases and vapours with a boiling point above 65 °C and solid and liquid particles, such as dust, smoke, aerosols   |
| 914520 | Box of 6 JOIN <b>A2</b> filters + 6 <b>P3R</b> Pad filters                                    | A2 P3R PAD    | -                           | Gases Level 2<br>Particles 50 x TLV |  |
| 914499 | Box of 6 JOIN <b>ABEK1</b> filters + 6 <b>P2R</b> Pad filters + Formaldehyde*                 | ABEK1 P2R PAD | ✓                           | Gases Level 1<br>Particles 12 x TLV | Inorganic gases and vapours and organic gases and vapours with a boiling point higher than 65 °C. Also sulphur dioxide and other acid gases and vapours, and solid and liquid particles, such as dust, smoke and aerosols. |
| 914493 | Box of 6 JOIN <b>ABEK1</b> filters + 6 <b>P3R</b> Pad filters + Formaldehyde*                 | ABEK1 P3R PAD | ✓                           | Gases Level 2<br>Particles 50 x TLV |  |
| 914613 | Box of 6 JOIN <b>ABEK2</b> filters + 6 <b>P3R</b> Pad filters <b>for the FULL AIR II mask</b> | ABEK2 P3R PAD |                             | Gases Level 3<br>Particles 50 x TLV |  |

\*The combinable filters are sold together as gases + particles and the particle filters will be replaced as required.

\*Specific NIOSH studies for proven Formaldehyde protection

### REPLACEMENT PARTICLE FILTERS:

| Ref.   | Available in   | Marking   | Tested against Formaldehyde | Maximum level of use | Protection against  |
|--------|--|-----------|-----------------------------|----------------------|---|
| 914216 | Box of 20 <b>P2R</b> Pad filters (REPLACEMENT particle filter)   | P2R PAD   | -                           | Particles 12 x TLV   | Solid and liquid particles, such as dust, smoke, aerosols |
| 912087 | Box of 20 <b>P3R D</b> Pad filters (REPLACEMENT particle filter) | P3R D PAD | -                           | Particles 50 x TLV   |   |

### REPLACING THE PARTICLE FILTER

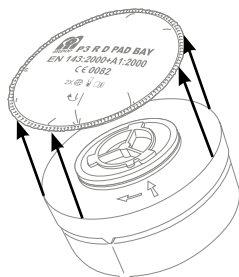
To replace the particle filter, the first thing you have to do is completely remove the filter from the half mask. Then, proceed to change out the particle filter by performing the following steps:

**Step 1.** Remove the particle filter you want to replace

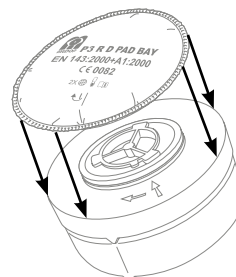
**Step 2.** Put the new particle filter in its place



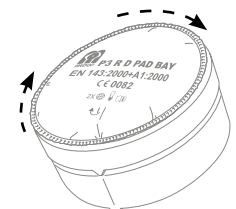
Remove the particle filter by twisting it to the left (counter-clockwise)



Pull the filter out to separate the particle filter from the gas filter



Set the new particle filter down on the gas filter (take note of the markings on where both filters should connect)



Adjust the filter by twisting it to the right (clockwise)

## STANDARD AND CERTIFICATION

- EN 143:** Respiratory protection equipment: Particle filters
- EN 14387:** Respiratory protection equipment: Combined filters and gas filters

## COMPONENTS

|           |             |
|-----------|-------------|
| Silicone* | Not present |
| Metal     | Not present |

\* Although this PPE does not contain silicone, it is recommended to perform tests and try the product in painting areas before use.

## OTHER FEATURES

| Uses                              | Environments with particle or gas contaminants.<br>Do not use when the concentration of contaminant exceeds the Permissible Exposure Limit per filter.<br>The selection of filter will be in accordance with the contaminant and the level of concentration.   |                       |          |                |        |                      |                       |        |                      |                       |        |                      |                       |        |                      |                       |        |                      |                       |
|-----------------------------------|--|-----------------------|----------|----------------|--------|----------------------|-----------------------|--------|----------------------|-----------------------|--------|----------------------|-----------------------|--------|----------------------|-----------------------|--------|----------------------|-----------------------|
| Conservation<br>Storage<br>Expiry | Store in storage case in a cool, well ventilated place, avoiding humidity, dirt and dust.<br>Shelf life of the filters is indicated on them and is valid for sealed wrappers.<br>The expiry date is marked as follows:<br>🕒 XX/XXXX (MONTH/YEAR)   |                       |          |                |        |                      |                       |        |                      |                       |        |                      |                       |        |                      |                       |        |                      |                       |
| Instructions<br>Use<br>How to use | This item filters contaminated air, but it does not provide oxygen. Thus, it must not be used when the ambient oxygen content is below 19.5% volume.<br>Immediately leave the work area and replace your filters if during use:<br>- You find it hard to breathe.<br>- You feel dizzy or vertigo.<br>- You smell or taste contaminant.   |                       |          |                |        |                      |                       |        |                      |                       |        |                      |                       |        |                      |                       |        |                      |                       |
| Presentation                      | Combinable JOIN Gas + Particle filters<br>Box of 6 gas filters + 6 particle filters<br>Carton of 18 boxes<br>Replacement particle filters:<br>Box of 20 filters<br>Carton of 12 boxes  |                       |          |                |        |                      |                       |        |                      |                       |        |                      |                       |        |                      |                       |        |                      |                       |
| Bar code                          | <table border="1"> <thead> <tr> <th>Ref.</th> <th>Box code</th> <th>Carton barcode</th> </tr> </thead> <tbody> <tr> <td>914512</td> <td>GIN-13 8423173895662</td> <td>GIN-14 18423173895669</td> </tr> <tr> <td>914520</td> <td>GIN-13 8423173895808</td> <td>GIN-14 18423173895805</td> </tr> <tr> <td>914499</td> <td>GIN-13 8423173895471</td> <td>GIN-14 18423173895478</td> </tr> <tr> <td>914493</td> <td>GIN-13 8423173895594</td> <td>GIN-14 18423173895591</td> </tr> <tr> <td>914613</td> <td>GIN-13 8423173896508</td> <td>GIN-14 18423173896505</td> </tr> </tbody> </table> | Ref.                  | Box code | Carton barcode | 914512 | GIN-13 8423173895662 | GIN-14 18423173895669 | 914520 | GIN-13 8423173895808 | GIN-14 18423173895805 | 914499 | GIN-13 8423173895471 | GIN-14 18423173895478 | 914493 | GIN-13 8423173895594 | GIN-14 18423173895591 | 914613 | GIN-13 8423173896508 | GIN-14 18423173896505 |
| Ref.                              | Box code   | Carton barcode        |          |                |        |                      |                       |        |                      |                       |        |                      |                       |        |                      |                       |        |                      |                       |
| 914512                            | GIN-13 8423173895662   | GIN-14 18423173895669 |          |                |        |                      |                       |        |                      |                       |        |                      |                       |        |                      |                       |        |                      |                       |
| 914520                            | GIN-13 8423173895808   | GIN-14 18423173895805 |          |                |        |                      |                       |        |                      |                       |        |                      |                       |        |                      |                       |        |                      |                       |
| 914499                            | GIN-13 8423173895471   | GIN-14 18423173895478 |          |                |        |                      |                       |        |                      |                       |        |                      |                       |        |                      |                       |        |                      |                       |
| 914493                            | GIN-13 8423173895594   | GIN-14 18423173895591 |          |                |        |                      |                       |        |                      |                       |        |                      |                       |        |                      |                       |        |                      |                       |
| 914613                            | GIN-13 8423173896508   | GIN-14 18423173896505 |          |                |        |                      |                       |        |                      |                       |        |                      |                       |        |                      |                       |        |                      |                       |

